

P95H Regulator 1-1/2" & 2"



- Large Capacity
- Working Media Including Air, Steam and Liquids
- All Vents are Tapped

The P95H is a direct operating pressure reducing regulator with large capacity. Ideally suited for uses in oil and gas, process gases, steam and liquids. Available in four spring ranges and metal or elastomer diaphragm and orifice seat materials.

Applications

- Steam Injection
- In-line Gas and Liquid Control
- Chemical Boilers, Process Heaters



P95H		0	0						
	▲	▲	▲	▲	▲	▲	▲	▲	Body Size
	14								1-1/2 NPT
	16								2 NPT
									Spring Range
									PSIG BAR
	080								5 - 80 0.34 - 5.5
	120								60 - 120 4.1 - 8.3
	140								100 - 140 6.9 - 9.6
	150								120 - 150 8.3 - 10.3
									Options
	0								Standard
	A								150 RF*
	B								300 RF*
	C								600 RF*
	D								Socket Weld*
	0	0							Place Holder
									Valve Plug / Orifice Material
	A								416 SS (Metal / Metal)
	G								Brass / Neoprene
	I								316 SS (Metal / Metal)
	K								316 SS / Neoprene
									Diaphragm Material
	0								302 SS
	3								Neoprene
									Case / Body Material
	0								Iron / Iron
	1								Steel / Steel
	3								Iron / Steel

Specifications

Maximum Inlet		
	250 PSIG	Iron / NPT
	300 PSIG	Steel / ALL
Pressure Ranges		
	5-80 PSIG	
	60-120 PSIG	
	100-140 PSIG	
	120-150 PSIG	
Body Size		
	1-1/2 NPT	
	2 NPT	
Weight Approximate		
1-1/2" NPT	73 lb.	33.1 kg
2" NPT		

P95H Flow Coefficients

Body Size, Inches	Wide Open Coefficients (For Relief Sizing)			C ₁	K _m
	C _v	C _G	C _S		
1-1/2 2	12.5	475	23.75	38	0.83

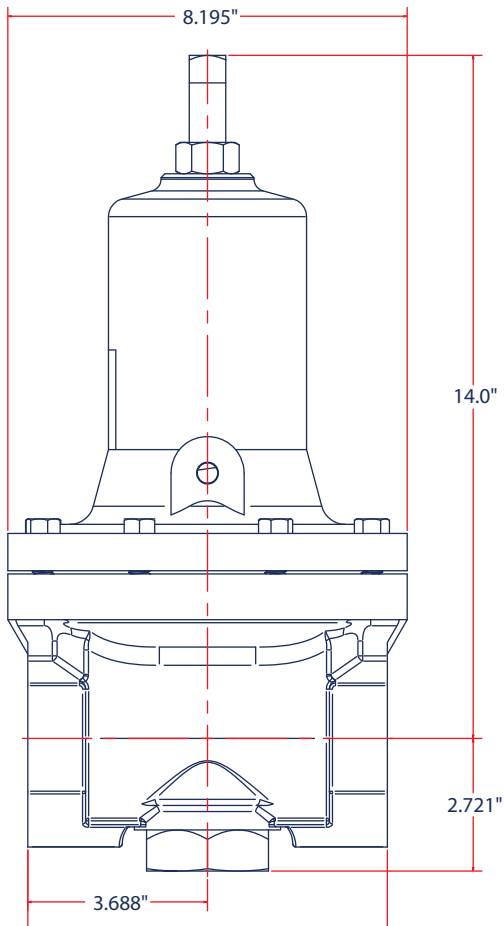
P95H Maximum Pressures

Nominal Body Size, Inches (DN)	Body and Spring Case Materials	End Connections	Max Inlet Pressure		Max Outlet Pressure	
			PSIG	BAR	PSIG	BAR
1-1/2 2	Cast Iron	NPT	250	17.2	150	10.3
	Steel	NPT	300	20.7	150	10.3
	Steel	15ORF	300	19.7	150	10.3
	Steel	30ORF	300	20.7	150	10.3
	Steel	60ORF	300	41.2	150	10.3
	Steel	Socket Weld	300	20.7	150	10.3

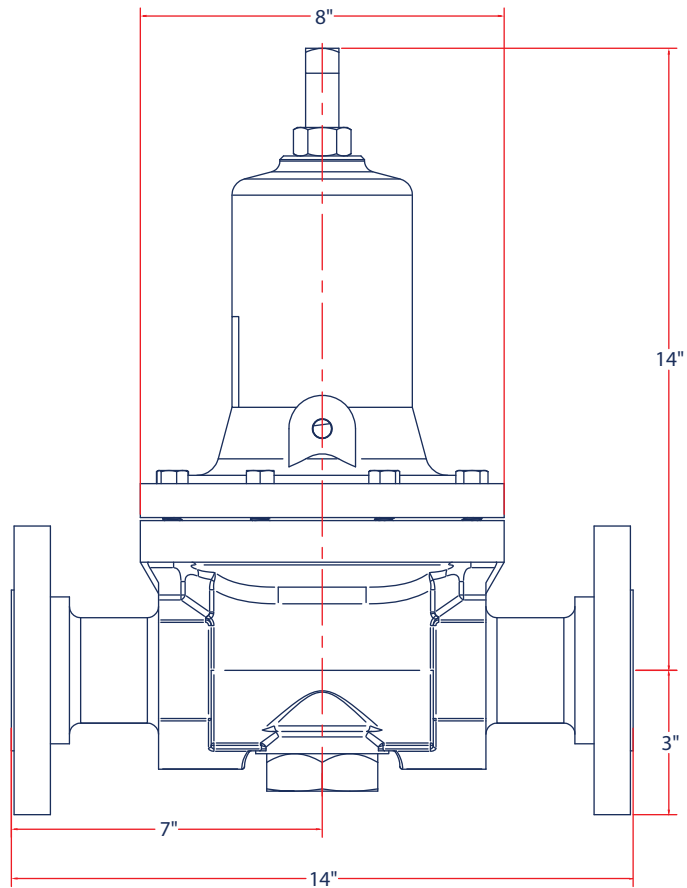
Materials of Construction

Body, Bonnet, Diaphragm Case	
Options	Cast Iron
	Steel
Diaphragm	
Options	302SS
	Neoprene
Supply Valve Shutoff	
Options	Metal to Metal
	Metal to Elastomer

P95H 1-1/2 NPT & 2 NPT



P95H Flanged 1-1/2 NPT & 2 NPT



P95H Repair Kits - 1-1/2" & 2" Ported

	Kit Includes	Part Number
302SS Diaphragm	302SS Diaphragm (2), Diaphragm Gasket, 416SS Orifice, 416SS / Neoprene Valve Plug, Valve Spring	971-P95-500
	302SS Diaphragm (2), Diaphragm Gasket, 416SS Orifice, 416SS / M to M Valve Plug, Valve Spring	971-P95-501
	302SS Diaphragm (2), Diaphragm Gasket, 316SS Orifice, 316SS / M to M Valve Plug, Valve Spring	971-P95-509
	302SS Diaphragm (2), Diaphragm Gasket, 316SS Orifice, 316SS / Neoprene Valve Plug, Valve Spring	971-P95-511
	302SS Diaphragm (2), Diaphragm Gasket, Brass Orifice, Brass / Neoprene Valve Plug, Valve Spring	971-P95-507
	302SS Diaphragm (2), Diaphragm Gasket, 316SS Orifice, 316SS / PTFE Valve Plug, Valve Spring	971-P95-512
Neoprene Diaphragm	Neoprene Diaphragm, Brass Orifice, Neoprene Valve Plug, Valve Spring	971-P95-503
	Neoprene Diaphragm, 416SS Orifice, 416SS / M to M Valve Plug, Valve Spring	971-P95-524
	Neoprene Diaphragm, 316SS Orifice, 316SS / M to M Valve Plug, Valve Spring	971-P95-529
	Neoprene Diaphragm, 316SS Orifice, 316SS / Neoprene Valve Plug, Valve Spring	971-P95-531
	Neoprene Diaphragm, 316SS Orifice, 316SS / Neoprene Valve Plug, NACE Valve Spring	971-P95-550
	Neoprene Diaphragm, 316SS Orifice, 316SS / PTFE Valve Plug, Valve Spring	971-P95-532

P95H Air Capacities with an Elastomer or Stainless Steel Diaphragm

Outlet Pressure Range	Outlet Pressure Setting		Inlet Pressure		1-1/2" Body Size (DN40)						2" Body Size (DN50)					
					Offset						Offset					
	PSIG	BAR	PSIG	BAR	10%		20%		40%		10%		20%		40%	
					SCFH	Nm ³ /h	SCFH	Nm ³ /h	SCFH	Nm ³ /h	SCFH	Nm ³ /h	SCFH	Nm ³ /h	SCFH	Nm ³ /h
5 to 80 PSIG (0.35 to 5.5 BAR)	5	0.35	10	0.7	950	25.5	1000	26.8	1500	40.2	1000	26.8	1100	29.5	150	40.2
			20	1.4	2100	56.3	2500	67.0	4300	115.0	1800	48.2	2000	53.6	2600	69.7
			30	2.1	2500	67.0	3000	80.4	5000	134.0	3400	91.1	4600	123.0	7300	196.0
			50	3.5	3500	93.8	4000	107.0	6000	161.0	4000	107.0	5500	147.0	9000	241.0
			75	5.2	5000	134.0	6000	161.0	8000	214.0	5500	147.0	7000	188.0	11000	295.0
			100	6.9	6500	174.0	8000	214.0	9500	255.0	9000	241.0	12000	322.0	14000	375.0
			150	10.3	8500	228.0	11000	295.0	12000	322.0	15000	402.0	18000	482.0	21000	563.0
			200	13.8	12000	322.0	14000	375.0	17000	456.0	16000	429.0	19000	509.0	21000	563.0
			250	17.2	15000	402.0	17000	456.0	19000	509.0	18000	482.0	20000	536.0	22000	590.0
			300	20.7	18000	482.0	20000	536.0	21000	563.0	19000	509.0	21000	563.0	23000	616.0
	30	2.1	40	2.8	3400	91.1	6100	163.0	10000	268.0	4500	121.0	6200	166.0	11000	295.0
			50	3.5	4500	121.0	9000	241.0	14000	375.0	8000	214.0	10000	268.0	15000	402.0
			75	5.2	6000	161.0	12000	322.0	18000	482.0	15000	402.0	20000	536.0	25000	670.0
			100	6.9	8000	214.0	15000	402.0	23000	616.0	24000	643.0	30000	804.0	35000	938.0
			150	10.3	12000	322.0	21000	563.0	35000	938.0	44000	1179.0	50000	134.0	54000	1447.0
			200	13.8	20000	536.0	31000	831.0	38000	1018.0	48000	1286.0	55000	1474.0	58000	1554.0
			250	17.2	25000	670.0	35000	938.0	41000	1099.0	51000	1367.0	58000	1554.0	60000	1608.0
	50	3.4	300	20.7	29000	777.0	38000	1018.0	44000	1179.0	53000	1420.0	59000	1581.0	61000	1635.0
			60	4.1	6300	169.0	10000	268.0	20000	536.0	6500	174.0	11000	295.0	21000	563.0
			75	5.2	9000	241.0	14000	375.0	32000	858.0	12000	322.0	20000	536.0	35000	938.0
			100	6.9	10000	268.0	19000	509.0	45000	1206.0	20000	536.0	40000	1072.0	55000	1474.0
			150	10.3	13000	348.0	28000	750.0	61000	1635.0	30000	804.0	68000	1822.0	75000	2010.0
			200	13.8	21000	563.0	36000	965.0	64000	1715.0	43000	1152.0	75000	2010.0	83000	2224.0
			250	17.2	31000	831.0	45000	1206.0	66000	1769.0	55000	1474.0	80000	2144.0	86000	2305.0
	75	5.2	300	20.7	39000	1045.0	51000	1367.0	67000	1796.0	65000	1742.0	84000	2251.0	89000	2385.0
			100	6.9	14000	375.0	22000	590.0	42000	1126.0	15000	402.0	28000	750.0	50000	1340.0
			125	8.6	17000	456.0	30000	804.0	55000	1474.0	20000	536.0	45000	1206.0	65000	1742.0
			150	10.3	20000	536.0	39000	1045.0	71000	1903.0	26000	697.0	69000	1849.0	76000	2037.0
			200	13.8	23000	616.0	49000	1313.0	81000	2171.0	50000	1340.0	90000	2412.0	96000	2573.0
			250	17.2	33000	884.0	57000	1528.0	85000	2278.0	70000	1876.0	110000	2948.0	110000	2948.0
60 to 120 PSIG (4.1 to 8.3 BAR)	100	6.9	300	20.7	43000	1152.0	65000	1742.0	88000	2358.0	90000	2412.0	120000	3216.0	120000	3216.0
			125	8.6	11000	295.0	29000	777.0	50000	1340.0	12000	322.0	30000	804.0	54000	1447.0
			150	10.3	22000	590.0	37000	992.0	64000	1715.0	25000	670.0	45000	1206.0	71000	1903.0
			175	13.8	25000	670.0	47000	1260.0	75000	2010.0	33000	884.0	52000	1394.0	90000	2412.0
			225	15.5	28000	750.0	62000	1662.0	95000	2546.0	38000	1018.0	62000	1662.0	95000	2546.0
			250	17.2	33000	884.0	70000	1876.0	110000	2948.0	45000	1206.0	70000	1876.0	130000	3484.0
100 to 140 PSIG (6.9 to 9.7 BAR)	125	8.6	300	20.7	40000	1072.0	88000	2358.0	120000	3216.0	55000	1474.0	80000	2144.0	150000	4020.0
			150	10.3	21000	563.0	40000	1072.0	64000	1715.0	22000	590.0	40000	1072.0	65000	1742.0
			175	13.8	25000	670.0	47000	1260.0	74000	1983.0	32000	858.0	50000	1340.0	75000	2010.0
			200	13.8	28000	750.0	54000	1447.0	90000	2412.0	39000	1045.0	70000	1876.0	90000	2412.0
			225	15.5	30000	804.0	60000	1608.0	100000	2680.0	46000	1233.0	100000	2680.0	110000	2948.0
			250	17.2	35000	938.0	70000	1876.0	110000	2948.0	56000	1501.0	120000	3216.0	130000	3484.0
120 to 150 PSIG (8.3 to 10.3 BAR)	150	10.3	300	20.7	42000	1126.0	85000	2276.0	130000	3484.0	86000	2305.0	150000	4020.0	150000	4020.0
			175	13.8	19000	509.0	32000	858.0	54000	1447.0	20000	536.0	33000	884.0	55000	1474.0
			200	13.8	23000	616.0	44000	1179.0	79000	2117.0	24000	643.0	45000	1206.0	80000	2144.0
			225	15.5	29000	777.0	61000	1635.0	100000	2680.0	29000	777.0	61000	1635.0	100000	2680.0
			250	17.2	35000	938.0	70000	1876.0	120000	3216.0	49000	1313.0	96000	2573.0	120000	3216.0

P95H Steam Capacities (saturated) with Stainless Steel Diaphragm

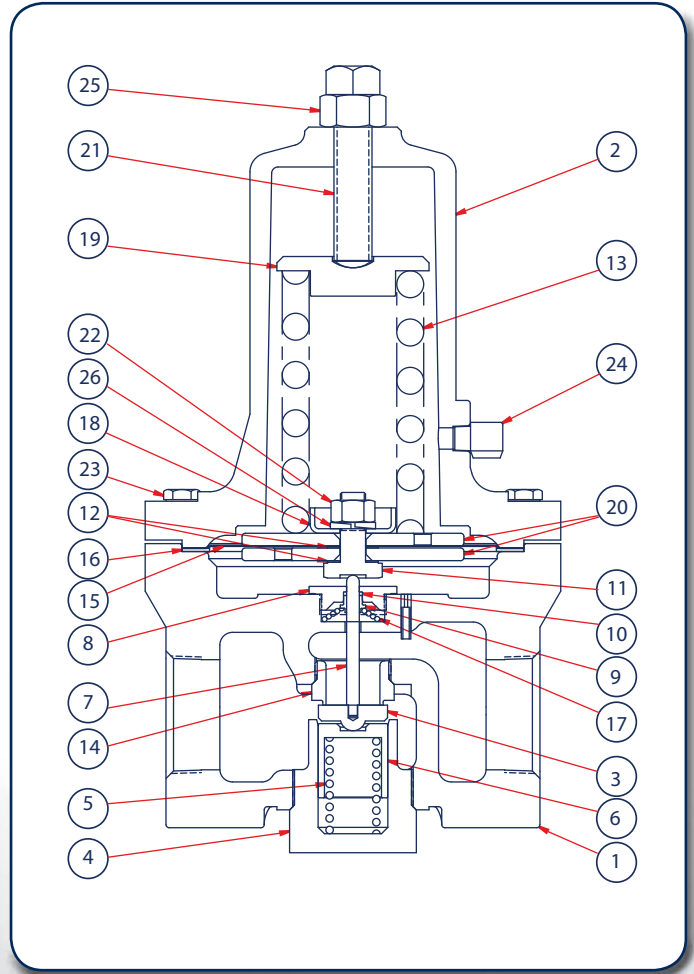
Outlet Pressure Range	Outlet Pressure Setting		Inlet Pressure		1-1/2" Body Size (DN40)						2" Body Size (DN50)								
					Offset						Offset								
	PSIG	BAR	PSIG	BAR	10%		20%		40%		10%		20%		40%				
					Pds/h	Kg/h	Pds/h	Kg/h	Pds/h	Kg/h	Pds/h	Kg/h	Pds/h	Kg/h	Pds/h	Kg/h			
5 to 80 PSIG (0.35 to 5.5 BAR)	5	0.35	10	0.7	48	22.0	50	23.0	75	34.0	50	23.0	55	25.0	75	34.0			
			20	1.4	110	50.0	130	59.0	220	100.0	90	41.0	100	46.0	130	59.0			
			30	2.1	130	59.0	150	68.0	250	113.0	170	77.0	230	104.0	370	168.0			
			50	3.5	180	82.0	200	91.0	300	136.0	200	91.0	280	127.0	450	204.0			
			75	5.2	250	113.0	300	136.0	400	181.0	280	127.0	350	159.0	550	249.0			
			100	6.9	330	150.0	400	181.0	480	218.0	450	204.0	600	272.0	700	318.0			
			150	10.3	430	195.0	550	249.0	600	272.0	750	340.0	900	408.0	1100	499.0			
			200	13.8	600	272.0	700	318.0	850	386.0	800	363.0	950	431.0	1100	499.0			
			250	17.2	750	340.0	850	386.0	950	431.0	900	408.0	1000	454.0	1100	499.0			
	300	20.7	900	408.0	1000	454.0	1100	499.0	950	431.0	1100	499.0	1200	544.0					
	15	1.0	30	2.1	130	59.0	150	68.0	250	113.0	140	64.0	200	91.0	280	127.0			
			40	2.8	180	82.0	230	104.0	400	181.0	190	87.0	280	127.0	400	181.0			
			50	3.5	230	104.0	300	136.0	480	218.0	240	109.0	350	159.0	600	272.0			
			75	5.2	300	136.0	400	181.0	650	295.0	350	159.0	540	245.0	1100	499.0			
			100	6.9	380	172.0	480	218.0	800	363.0	500	227.0	750	340.0	1300	590.0			
			150	10.3	500	227.0	610	277.0	1000	454.0	750	340.0	1000	454.0	1500	680.0			
			200	13.8	750	340.0	950	431.0	1200	544.0	1000	454.0	1200	544.0	1600	726.0			
			250	17.2	900	408.0	1100	499.0	1400	635.0	1200	544.0	1400	635.0	1700	771.0			
			300	20.7	1100	499.0	1300	590.0	1500	680.0	1300	590.0	1500	680.0	1800	816.0			
	30	2.1	40	2.8	170	77.0	300	136.0	500	227.0	230	104.0	310	141.0	550	249.0			
			50	3.5	230	104.0	450	204.0	700	318.0	400	181.0	500	227.0	750	340.0			
			75	5.2	300	136.0	600	272.0	900	408.0	750	340.0	1000	454.0	1300	590.0			
			100	6.9	400	181.0	750	340.0	1200	544.0	1200	544.0	1500	680.0	1800	816.0			
			150	10.3	600	272.0	1100	499.0	1800	816.0	2200	998.0	2500	1134.0	2700	1225.0			
			200	13.8	1000	454.0	1600	726.0	1900	862.0	2400	1089.0	2800	1270.0	2900	1315.0			
			250	17.2	1300	590.0	1800	816.0	2100	953.0	2600	1179.0	2900	1315.0	3000	1361.0			
			300	20.7	1500	680.0	1900	862.0	2200	998.0	2700	1225.0	3000	1361.0	3100	1406.0			
			50	3.4	60	4.1	300	136.0	550	249.0	1000	454.0	330	150.0	600	272.0	1100	499.0	
	75	5.2			450	204.0	700	318.0	1600	726.0	600	272.0	1000	454.0	1800	816.0			
	100	6.9			500	227.0	950	431.0	2300	1043.0	1000	454.0	2000	907.0	2800	1270.0			
	150	10.3			640	290.0	1400	635.0	3100	1406.0	1500	680.0	3400	1542.0	3800	1724.0			
	200	13.8			1100	499.0	1800	816.0	3200	1452.0	2200	998.0	3800	1724.0	4200	1905.0			
	250	17.2			1600	726.0	230	1043.0	3300	1497.0	2800	1270.0	4000	1814.0	4300	1950.0			
	300	20.7			2000	907.0	2600	1179.0	3400	1542.0	3300	1497.0	4200	1905.0	4500	2041.0			
	75	5.2			100	6.9	700	318.0	1100	499.0	2100	952.0	750	340.0	1400	635.0	2500	1134.0	
					125	8.6	850	386.0	1500	680.0	2800	1270.0	1000	454.0	2300	1043.0	3300	1497.0	
150			10.3	1000	454.0	2000	907.0	3600	1633.0	1300	590.0	3500	1588.0	3800	1724.0				
200			13.8	1200	544.0	2500	1134.0	4100	1860.0	2500	1134.0	4500	2041.0	4800	2177.0				
250			17.2	1700	771.0	2900	1315.0	4300	1950.0	3500	1588.0	5500	2495.0	5500	2495.0				
300			20.7	2200	998.0	3300	1497.0	4400	1996.0	4500	2041.0	6000	2722.0	6000	2722.0				
60 to 120 PSIG (4.1 to 8.3 BAR)			100	6.9	125	8.6	550	249.0	1500	680.0	2500	1134.0	600	272.0	1500	680.0	2700	1225.0	
					150	10.3	1100	499.0	1900	862.0	3200	1452.0	1300	590.0	2300	1043.0	3600	1633.0	
					175	13.8	1300	590.0	2400	1089.0	3800	1724.0	1700	771.0	2600	1179.0	4500	2041.0	
	225	15.5			1400	635.0	3100	1406.0	4800	2177.0	1400	635.0	3100	1406.0	4800	2177.0			
	250	17.2			1700	771.0	3500	1588.0	5500	2495.0	2300	1043.0	3500	1588.0	6500	2948.0			
	300	20.7			2000	907.0	4400	1996.0	6000	2722.0	2800	1270.0	4000	1814.0	7500	3402.0			
	100 to 140 PSIG (6.9 to 9.7 BAR)	125			8.6	150	10.3	1100	499.0	2000	907.0	3200	1452.0	1100	499.0	2000	907.0	3300	1497.0
						175	13.8	1300	590.0	2400	1089.0	3700	1678.0	1600	726.0	2500	1134.0	3800	1724.0
						200	13.8	1400	635.0	2700	1225.0	4500	2041.0	2000	907.0	3500	1588.0	4500	2041.0
225			15.5	1500		680.0	3000	1361.0	5000	2268.0	2300	1043.0	5000	2268.0	5500	2495.0			
250			17.2	1800		816.0	3500	1588.0	5500	2495.0	2800	1270.0	6000	2722.0	6500	2948.0			
300			20.7	2100		953.0	4300	1950.0	6500	2948.0	4300	1950.0	7500	3402.0	7500	3402.0			
120 to 150 PSIG (8.3 to 10.3 BAR)			150	10.3		175	13.8	950	431.0	1600	726.0	2700	1225.0	1000	454.0	1700	771.0	2800	1270.0
						200	13.8	1200	544.0	2200	998.0	4000	1814.0	1200	544.0	2300	1043.0	4000	1814.0
						225	15.5	1500	680.0	3100	1406.0	5000	2268.0	1500	680.0	3100	1406.0	5000	2268.0
	250	17.2			1800	816.0	3500	1588.0	6000	2722.0	2500	1134.0	4800	2177.0	6000	2722.0			
	300	20.7			2300	1043.0	4500	2041.0	7500	3402.0	4300	1950.0	7000	3175.0	7500	3402.0			

P95H Water Capacities with an Elastomer or Stainless Steel Diaphragm

Outlet Pressure Range	Outlet Pressure Setting		Inlet Pressure		1-1/2" Body Size (DN40)						2" Body Size (DN50)					
	PSIG	BAR	PSIG	BAR	Offset						Offset					
					10%		20%		40%		10%		20%		40%	
					GPM	l/min	GPM	l/min	GPM	l/min	GPM	l/min	GPM	l/min	GPM	l/min
5 to 80 PSIG (0.35 to 5.5 BAR)	5	0.35	10	0.7	5	18.0	6	20.0	8	28.0	5	18.0	6	20.0	8	28.0
			20	1.4	6	24.0	7	27.0	9	34.0	6	24.0	7	27.0	10	38.0
			30	2.1	8	28.0	9	34.0	10	38.0	8	28.0	9	34.0	12	45.0
			50	3.5	9	34.0	10	37.0	12	45.0	10	37.0	12	45.0	15	57.0
			75	5.2	12	45.0	13	49.0	15	57.0	12	45.0	14	53.0	16	61.0
			100	6.9	14	53.0	15	57.0	17	64.0	14	53.0	15	57.0	18	68.0
			150	10.3	16	61.0	18	68.0	20	76.0	17	64.0	20	76.0	22	83.0
			200	13.8	18	68.0	20	76.0	23	87.0	18	68.0	21	79.0	23	87.0
			250	17.2	19	72.0	22	83.0	25	95.0	25	95.0	27	102.0	30	114.0
	300	20.7	20	76.0	24	91.0	28	106.0	33	125.0	40	151.0	45	170.0		
	15	1.0	30	2.1	8	28.0	9	34.0	11	42.0	7	27.0	10	38.0	14	53.0
			40	2.8	10	38.0	11	42.0	14	53.0	10	38.0	13	49.0	17	64.0
			50	3.5	12	45.0	13	49.0	18	68.0	11	42.0	15	57.0	20	76.0
			75	5.2	14	53.0	18	68.0	25	95.0	15	57.0	19	72.0	26	98.0
			100	6.9	17	64.0	21	80.0	32	121.0	18	68.0	22	83.0	32	121.0
			150	10.3	21	80.0	27	102.0	43	163.0	21	80.0	28	106.0	40	151.0
			200	13.8	23	87.0	32	121.0	52	197.0	24	91.0	31	117.0	43	163.0
			250	17.2	24	91.0	34	129.0	54	204.0	27	102.0	40	151.0	50	189.0
	300	20.7	25	95.0	35	132.0	55	208.0	32	121.0	50	189.0	65	246.0		
	30	2.1	40	2.8	13	49.0	18	68.0	27	102.0	13	49.0	18	68.0	27	102.0
			50	3.5	15	57.0	21	80.0	30	114.0	14	53.0	20	76.0	30	114.0
			75	5.2	18	68.0	26	98.0	40	151.0	18	68.0	25	95.0	39	148.0
			100	6.9	21	80.0	30	114.0	49	185.0	22	83.0	30	114.0	48	182.0
			150	10.3	24	91.0	36	136.0	64	242.0	26	98.0	36	136.0	63	238.0
			200	13.8	27	102.0	41	155.0	80	303.0	30	114.0	41	155.0	77	291.0
			250	17.2	30	114.0	47	178.0	110	416.0	31	117.0	45	170.0	90	341.0
	300	20.7	33	125.0	55	208.0	130	492.0	32	121.0	52	197.0	110	416.0		
	50	3.4	60	4.1	17	64.0	29	110.0	51	193.0	16	61.0	29	110.0	51	193.0
			75	5.2	20	76.0	33	125.0	58	220.0	19	72.0	32	121.0	56	212.0
			100	6.9	25	95.0	40	151.0	68	257.0	24	91.0	38	144.0	65	246.0
			150	10.3	34	129.0	50	189.0	87	329.0	32	121.0	49	185.0	84	318.0
			200	13.8	42	159.0	61	231.0	110	416.0	42	159.0	62	235.0	110	416.0
			250	17.2	50	189.0	71	269.0	130	492.0	50	189.0	73	276.0	140	530.0
	300	20.7	56	212.0	82	310.0	160	606.0	55	208.0	83	314.0	160	606.0		
	75	5.2	100	6.9	19	72.0	30	114.0	60	227.0	20	76.0	30	114.0	60	227.0
			125	8.6	31	117.0	56	212.0	85	322.0	27	102.0	49	185.0	85	322.0
150			10.3	38	144.0	65	246.0	110	416.0	34	129.0	60	227.0	110	416.0	
200			13.8	52	197.0	74	280.0	120	454.0	45	170.0	71	269.0	120	454.0	
250			17.2	57	216.0	85	322.0	140	530.0	56	212.0	85	322.0	140	530.0	
300	20.7	65	246.0	95	360.0	160	606.0	68	257.0	100	378.0	160	606.0			
60 to 120 PSIG (4.1 to 8.3 BAR)	100	6.9	125	8.6	23	87.0	30	114.0	75	284.0	24	91.0	32	121.0	76	288.0
			150	10.3	41	155.0	44	167.0	87	329.0	33	125.0	45	170.0	89	337.0
			175	13.8	40	151.0	55	208.0	100	378.0	41	155.0	57	216.0	110	416.0
			225	15.5	52	197.0	83	314.0	130	492.0	54	204.0	84	318.0	130	492.0
			250	17.2	62	235.0	96	363.0	140	530.0	65	246.0	100	378.0	140	530.0
300	20.7	70	265.0	100	378.0	180	681.0	100	378.0	130	492.0	160	606.0			
100 to 140 PSIG (6.9 to 9.7 BAR)	125	8.6	150	10.3	29	106.0	51	193.0	80	303.0	29	110.0	52	197.0	83	314.0
			175	13.8	29	110.0	60	227.0	90	341.0	31	117.0	61	231.0	95	360.0
			200	13.8	30	114.0	64	242.0	110	416.0	33	125.0	71	269.0	110	416.0
			225	15.5	36	136.0	70	265.0	110	416.0	36	136.0	82	310.0	120	454.0
			250	17.2	38	144.0	76	288.0	120	454.0	45	170.0	95	360.0	130	492.0
300	20.7	39	148.0	82	310.0	140	530.0	69	261.0	120	454.0	150	568.0			
120 to 150 PSIG (8.3 to 10.3 BAR)	150	10.3	175	13.8	29	110.0	52	197.0	90	341.0	33	125.0	54	204.0	92	348.0
			200	13.8	32	121.0	55	208.0	100	378.0	34	129.0	58	220.0	100	378.0
			225	15.5	35	132.0	63	238.0	110	416.0	37	140.0	64	242.0	110	416.0
			250	17.2	40	151.0	70	265.0	120	454.0	43	163.0	73	276.0	130	492.0
			300	20.7	55	208.0	94	356.0	140	530.0	55	208.0	95	360.0	150	568.0

P95H Parts for 1-1/2" & 2" Body

Item		Description	Qty.	Part Number
1	Body/Pitot Tube Assy.	Cast Iron, 1-1/2"	1	805-388-000
		Steel, 1-1/2"		805-388-002
		Cast Iron, 2"		805-388-001
		Steel, 2"		805-388-003
2	Bonnet	Cast Iron, Tapped	1	604-269-000
		Steel, Tapped		604-270-000
3	Seat	416 SS (Metal)	1	650-192-000
		Brass / Nitrile		822-058-001
		316 SS (Metal)		650-192-001
		316 SS / PTFE Seat		822-058-002
		316 SS / Neoprene Seat		822-058-000
4	Valve Plug Guide	Brass	1	639-143-002
		416 SS (Metal)		639-143-000
		316 SS (Metal)		639-143-001
5	Valve Spring	316 SS	1	655-769-000
		Inconel		655-769-001
6	Valve Base	416 SS	1	650-194-000
		316 SS		650-194-001
7	Stem	416 SS	1	651-105-000
		316 SS		651-105-001
8	Stem Bushing	416 SS	1	608-086-000
		316 SS		608-086-001
9	Packing Follower	416 SS	1	643-223-000
		316 SS		643-223-001
10	PTFE O-ring		1	649-338-000
11	Pusher Post	416 SS Elastomer	1	613-041-000
		416 SS Metal to Metal		613-042-000
		316 SS Elastomer		613-041-001
		316 SS Metal to Metal		613-042-001
12	Pusher Post Gasket (Metal Dia's Only)		2	624-099-000
13	Range Springs	5 - 80 PSIG, Light Blue	1	655-768-001
		60 - 120 PSIG, Light Gray		655-768-002
		120 - 150 PSIG, Black		655-768-003
		100 - 140 PSIG, Yellow		655-768-004
14	Orifice	416SS Metal to Metal	1	688-066-000
		316SS Metal to Metal		688-066-001
		416SS Composite		688-068-000
		316SS Composite		688-068-001
		Brass Composite		688-068-002
15	Diaphragm	Diaphragm - 302SS	2	618-108-000
		Diaphragm - Neoprene		618-109-000
16	Diaphragm Gasket (Metal Dia's Only)		1	624-100-000
17	Stem Guide Spring		1	655-770-000
18	Lower Spring Seat		1	626-117-000
19	Upper Spring Seat		1	626-116-000
20	Piston	Steel	2	637-337-000
		316 Stainless Steel		637-337-001
21	Adjusting Screw, Steel,		1	648-569-000
22	Stem Lock Nut		1	634-212-000
23	Hex Cap Screw		8	648-467-009
24	Vent Screen		1	836-004-000
25	Hex Nut		1	634-213-000
26	Lock Washer		1	662-000-018
27	Name Plate (not shown)		1	632-524-000
28	Name Plate Drive Screws (not shown)		2	648-464-000



P95H Maximum Body & Bonnet Temp Range

Cast Iron	-40° to +406°F	-40° to +208°C
Steel	-20° to +450°F	-29° to +232°C

P95H Maximum Diaphragm & Seat Temp Range

Neoprene	-40° to +180°F	-40° to +82°C
Stainless	-40° to +650°F	-40° to +343°C