

PL 82 / PL83 Pilot Regulator

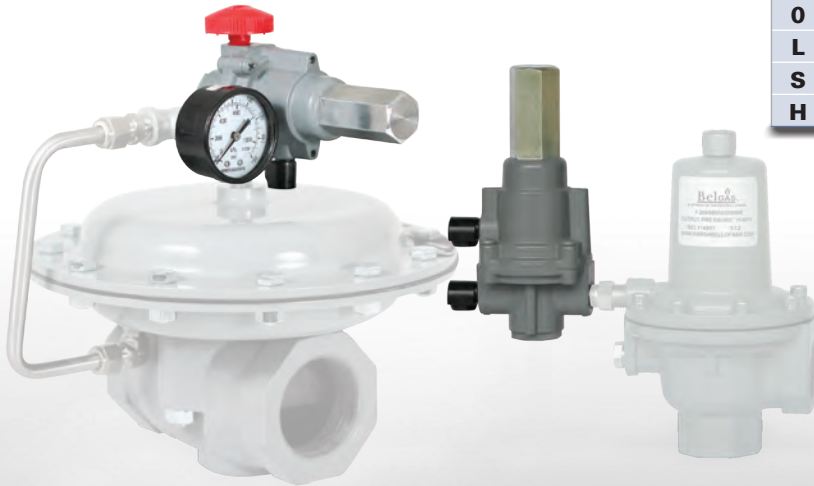
The PL82 is designed for the P1808 and P289 Back Pressure/Relief regulators.

The PL82B is used in pressure relief applications and vents continuously when the main valve is re-positioned or in the relieving mode. The PL82B does not bleed/relieve with pressures below the set pressure.

The PL82 is a low bleed pilot and will only bleed when the valve is being repositioned.

The PL83 is a low pressure unit for the inches of water column spring ranges of the 2" P289 and is a high bleed restriction pilot.

The gain options of low, medium and high allow for the lowest build ups and fastest response speed - high gain being the fastest.



PL Part Matrix

PL	↑	↑	↑	↑	↑	0	0	0	
									Version
82									For PSIG Ranges
83									For WC Ranges (High Gain Only)
									Configuration
0									BP App
B									Relief App
									Port Size
								02	1/4" Standard
									Output Ranges
								002	14" W.C. to 2 PSIG (for 2" W.C. range only)
								018	3 to 18 PSIG
								040	15 to 40 PSIG
								125	10 to 125 PSIG
									Bleed Restriction
								0	No Bleed (PL 820 Only)
								L	No Gain
								S	Standard Gain (PL 82B Only)
								H	High Gain
									Trim
								0	Nitrile (NBR)
								2	Fluorocarbon (FKM)
									Body Material
								0	Aluminum

Note: Spring ranges may change depending on main regulator

PL 81 Pilot Regulator

The PL81 is designed as a pilot for High Flow regulators when accuracy and speed is desirable. The PL81 is used in conjunction with the range spring to achieve faster correction response and a more accurate adjustment of the pressure setting. The PL81 is a constant bleed pilot regulator.

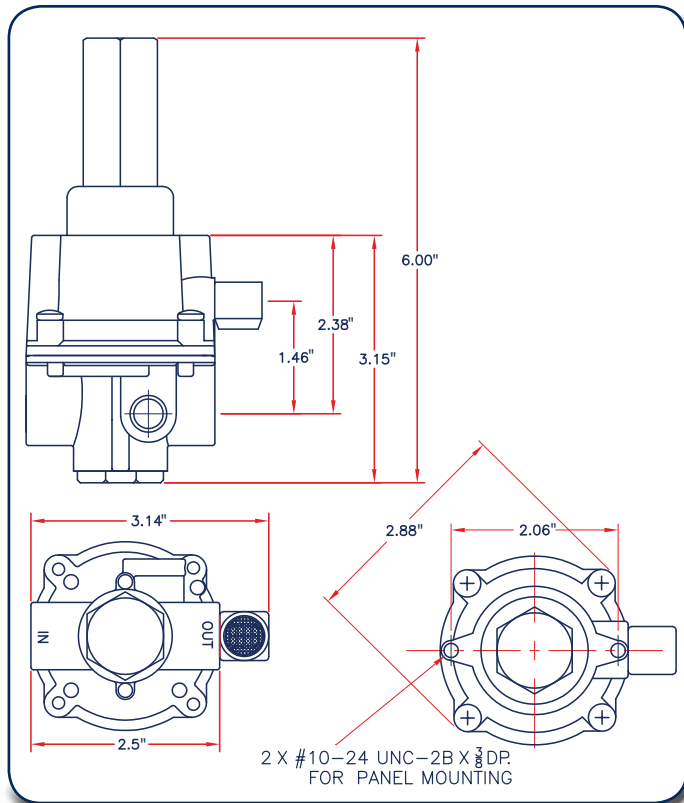
The gain options of low, medium and high allow for the lowest build ups and fastest response speed - high gain being the fastest.



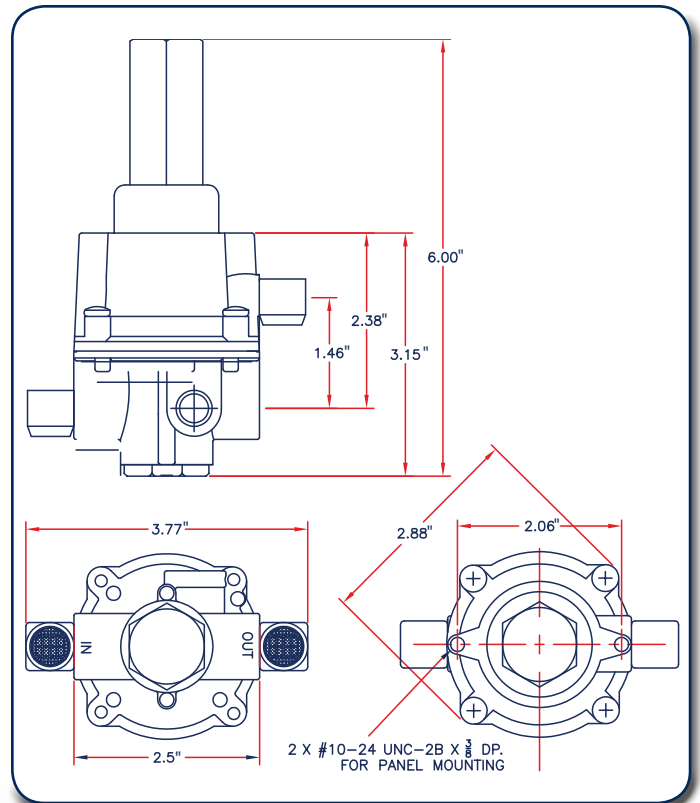
PL 81 Part Matrix

PL81	0	↑	↑	↑	↑	0	0	0	
									Port Size
								02	1/4" Standard
									Output Ranges
								035	0 to 35 PSIG
								100	35 to 100 PSIG
									Bleed Restriction
								L	Low Gain
								S	Standard Gain
								H	High Gain
									Trim
								0	Nitrile (NBR)
								2	Fluorocarbon (FKM)
									Body Material
								0	Aluminum

PL 81 Dimensions



PL 82 Dimensions



Pilot Regulator Filters

The PL Pilot Regulators can be adapted to many of the BelGAS pressure regulators. Although most main regulators are in some way modified to accept a pilot regulator operation, the BelGAS Pilot regulators can be used on other pressure regulators designed for the use of a pilot regulator.

In any application where a smaller flow rate due to a smaller orifice, medium filtration is the key to a smooth and trouble free operation of the pilot regulator. Filtration of the pilot supply is always recommended.

P590 In-Line Filter Assembly

Brass and stainless steel inline filter designed for use with multiple pilot regulators and main regulators.

P590 Complete Filter / Brass	P594
P590 Complete Filter / Stainless	P595
P590 25 Micron Element	677-052-000

P350 Filter Assemblies

Stainless and Aluminum cartridge type filters can be mounted in line before the pilot inlet.

P3500200000	0	0		
	▲	▲	▲	▲
	P			Drain Options
	V			Drain Plug
				Manual Drain Valve
				Filter Options
		25		25 Micron (Standard)
		01		1 Micron
		05		5 Micron
		50		50 Micron
				Body Material
			0	Low Gain
			1	High Gain



BelGAS™

A DIVISION OF MARSH BELLOFRAM

