

P912 Pressure Regulator

- Versatile
- Control Accuracy
- Compact Design
- Removable Vent Screen

The Type P912 pressure regulator functions as a pneumatic pressure controlling device with an adjustable set point. The P912 can be used in a variety of applications in which accurate pressure regulation is required. The internal relief feature allows the regulator to respond quickly and to relieve excessive pressure.



Applications

Applicable to a wide range of gaseous fluids, including air, natural gas and propane. Can be used as a LP regulator.

Specifications

P912			
Inlet	1/4 NPT		
Outlet	1/4 or 3/8 NPT		
Temperature Range	-20 to 170 °F (-29° to 77 °C)		
Outlet Pressure Ranges	3-7 inches WC	7 to 17 mBAR	
	5-10 inches WC	12 to 25 mBAR	
	9.25-13 inches WC	23 to 32 mBAR	U.L. 144 Listed
	10 inches WC-1.05 PSIG	25 to 72 mBAR	
	0.8-2.7 PSIG	55-186 mBAR	U.L. 144 Listed
	2.7-5 PSIG	186-340 mBAR	U.L. 144 Listed
Maximum allowable inlet pressure	250 PSIG (17.3 BAR)		
Approximate Weight	1.3 lbs.	0.59 kg	

Materials of Construction

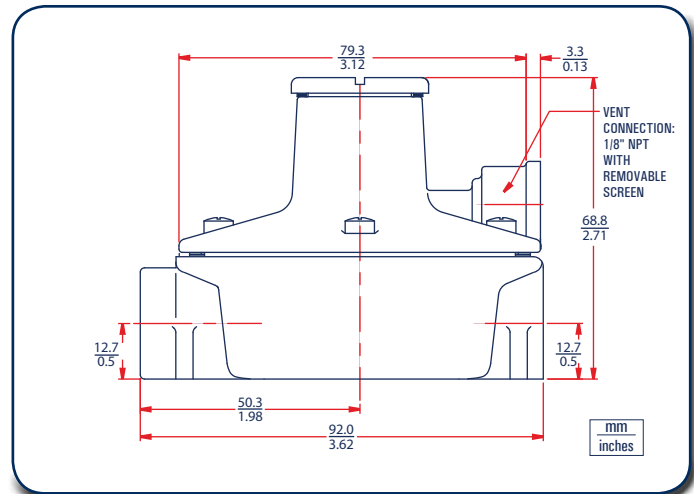
P912	
Body, Bonnet	Zinc
Diaphragm	Nitrile
Diaphragm Assembly	Zinc/Nitrile
Gaskets	Non-asbestos, CGR 2750
Pin	Stainless Steel
Vent screen	Monel
Spring	Zinc-Plated Steel
Diaphragm Piston	Zinc-Plated Steel

Output Pressure Settings	Outlet Pressure Setting	Spring Part Number	Offset	Capacity in SCFH (m3/h) of 0.6 Specific Gravity Natural Gas															
				Inlet Pressure, PSIG/BAR															
				5	10	25	50	75	100	150	200	250							
				0.34	0.69	1.7	3.4	5.2	6.9	10	14	17							
5 inches WC	3 to 7 inches WC	655-681-000	1 inch WC	50	65	75	100												
12 mBAR	7 to 17 mBAR		2.5 mBAR	1.34	1.74	2.01	2.68												
7 inches WC	5 to 10 inches WC	655-682-000	1 inch WC		75	112	155	155	155	155	155	155							
17 mBAR	12 to 25 mBAR		2.5 mBAR		2.01	3.0	4.15	4.15	4.15	4.15	4.15	4.15							
11 inches WC	9-1/4 to 13 inches WC	655-683-000	1 inch WC		75	140	155	155	155	155	155	155	155						
27 mBAR	23 to 32 mBAR		2.5 mBAR		2.01	3.75	4.15	4.15	4.15	4.15	4.15	4.15	4.15						
15 inches WC	10 inches WC to 1.05 PSIG	655-684-000	2 inch WC		68	100	135	150	160	190	200	200							
27 mBAR	25 to 72 mBAR		5 mBAR		1.82	2.68	3.62	4.02	4.29	5.09	5.36	5.36							
1 psig	0.8 to 2.7 psig	655-695-000	10%		40	40	85	90	100	155	160	185							
						1.47	1.07	2.28	2.41	2.68	4.15	4.29	4.96						
69 mBAR	55 to 186 mBAR		20%		55	100	135	155	185	240	285	300							
					1.47	2.68	3.62	4.15	4.96	6.43	7.64	8.04							
2 psig	0.8 to 2.7 psig	655-695-000	10%		50	85	105	130	145	200	260	300							
						1.34	2.28	2.81	3.48	3.89	5.36	6.97	8.04						
140 mBAR	55 to 186 mBAR		20%		70	120	180	240	300	400	450	500							
					1.88	3.22	4.82	6.43	8.04	10.7	12.1	13.4							
5 psig	2.7 to 5 psig	655-696-000	10%		68	85	135	170	200	325	400	500							
						1.82	2.28	3.62	4.56	5.36	8.71	10.7	13.4						
340 mBAR	186 to 340 mBAR		20%		75	135	200	280	360	560	685	750							
					2.01	3.62	5.36	7.50	9.65	15.0	18.4	20.1							

P912 Part Matrix

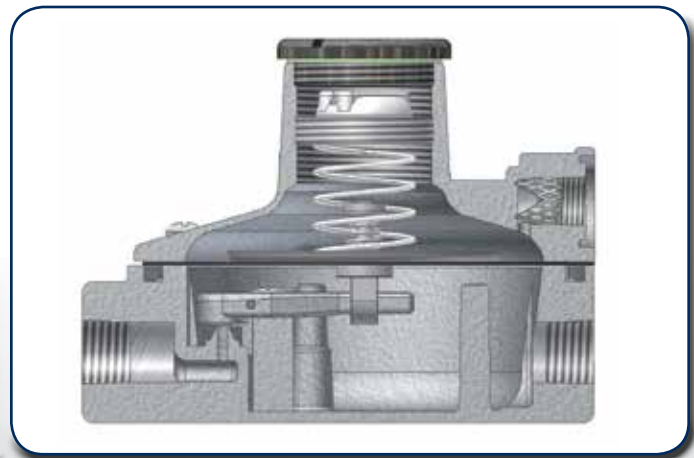
P912				1	0	0	0	0	0	
	▲	▲	▲	▲	▲	▲	▲	▲	▲	Outlet Port Size
										02
										03
										Output Pressure
										020
										040
										060
										080
										100
										120
				1	0	0	0	0	0	

P912 Dimensions



P912 Regulator Rebuild Kits

For Spring Ranges	Kit Includes	Part No.
3 - 7 " WC & 5 - 10 " WC	Arm Assembly, CRG Gasket. Monel Screen, Nitrile Diaphragm	971-912-200
9.25 - 13 " WC & 10 " WC - 1.05 psig	Arm Assembly, CRG Gasket. Monel Screen, Nitrile Diaphragm	971-912-100
0.8 - 2.7 psig & 2.7 - 5 psig	Arm Assembly, CRG Gasket. Monel Screen, Nitrile Diaphragm	971-912-000



P912 Parts

Item	Description	Part Number
1	Body	
	3/8 NPT Port, Zinc	664-310-000
	1/4 NPT Port, Zinc	664-311-000
2	Arm Assembly, Nitrile/Zinc	
	For 3-7" WC and 5-10" WC Only	827-012-000
	For All other ranges	827-009-000
3	Rod, Stainless Steel	646-540-000
4	Machine Screw, 5/16", plated steel (qty. 2)	648-000-417
5	Machine Screw, 3/8", plated steel (qty. 6)	648-000-418
6	Backup spring, plated steel (2.7 - 5.0 PSIG Range)	655-685-000
	Backup spring, plated steel (All Ranges Other than 2.7 - 5 PSIG)	655-715-000
7	Pin, Stainless Steel	635-062-000
8	Range Spring	
	3-7" WC red, plated steel	655-681-000
	5-10" WC orange, plated steel	655-682-000
	9.25-13" WC cadmium, plated steel	655-683-000
	10" WC-1.05 PSIG, blue, plated steel	655-684-000
	0.8-2.7 PSIG, yellow, plated steel	655-695-000
	2.7-5 PSIG, green, plated steel	655-696-000
9	Bonnet, Zinc	604-226-000
10	Closing Cap, Acetal	610-055-000
11	Gasket, Non-asbestos CGR 2750	624-064-000
12	Adjusting Screw, Acetal	648-000-419
13	Spring Seat, Plated Steel	650-128-000
14	Screen, Monel	647-019-000
15	Diaphragm Piston, Plated Steel	637-313-000
16	Poppet, Zinc	640-001-000
17	Diaphragm, Nitrile	
	(0.8 - 2.7 PSIG & 2.7 - 5.0 PSIG Ranges Only) (All Ranges Other than 0.8 - 2.7 PSIG & 2.7 - 5.0 PSIG)	600-498-000 600-506-000

