

# P52 Stainless Steel Regulator and Filter/Regulator

## Features

- Low Droop
- Tapped Vent
- Excellent Stability
- Port Sizes from 1/4" up to 1"

## Applications

- Sour Gas
- Corrosive Environments
- Off Shore

The P52SS regulator is designed for service with a wide variety of corrosive gases and severe environments. It is the ideal choice for sour gas applications and where a corrosive environment is present.

The standard version of this regulator is relieving with no constant bleed. You must specify if a non-relieving regulator is required.

Key components to the filter / regulator include a built in dripwell, 25 micron stainless filter. Both the regulator and filter / regulator come standard with Viton elastomers and a 'T' handle adjustment.



## Specifications

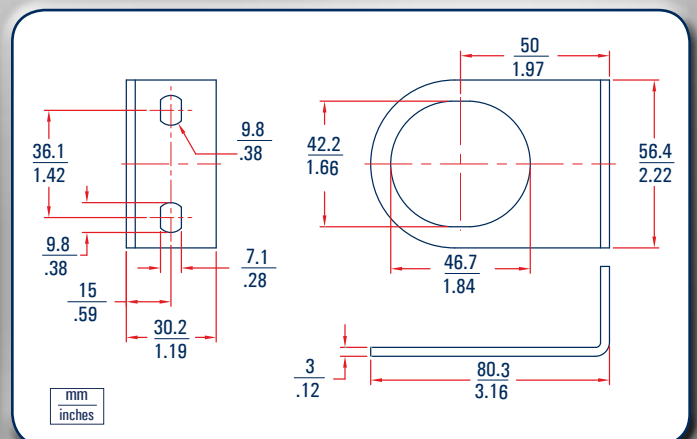
Maximum Inlet Pressure	425 PSIG
Outlet Ranges	3 - 30 PSIG
	6 - 60 PSIG
	12 - 125 PSIG
	15 - 150 PSIG
Repeatability	± 0.25 PSIG
Flow Rates at 100 PSIG Inlet 20 PSIG Outlet	1/4" - 38 SCFM
	3/8" - 42 SCFM
	1/2" - 95 SCFM
	3/4" - 105 SCFM
	1" - 105 SCFM
Temperature Range	-4 to 176 °F
Exhaust Capacity	0.1 SCFM
Max Air Consumption	0.5 SCFH
Filter	25 Micron
Supply Pressure Sensitivity at 25 PSIG	± 1.0 PSIG Change in Output
Material	316 SS Housing Body and Filter, Viton Elastomers

## P52SS Part Matrix

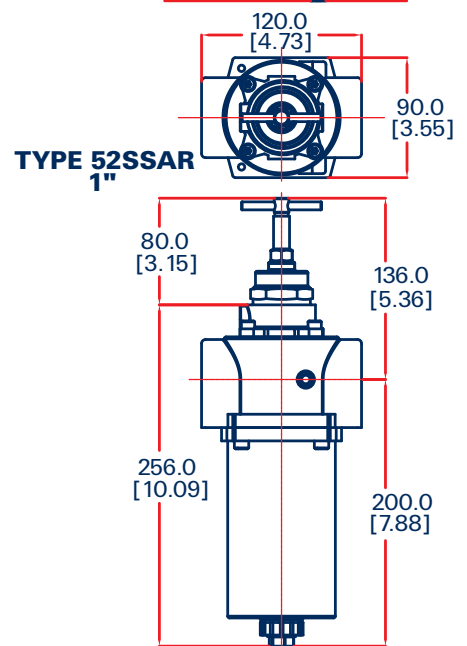
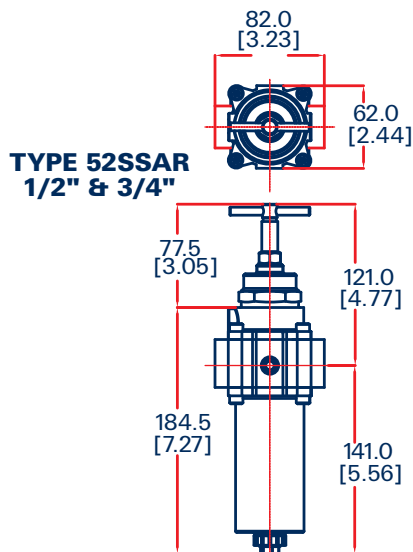
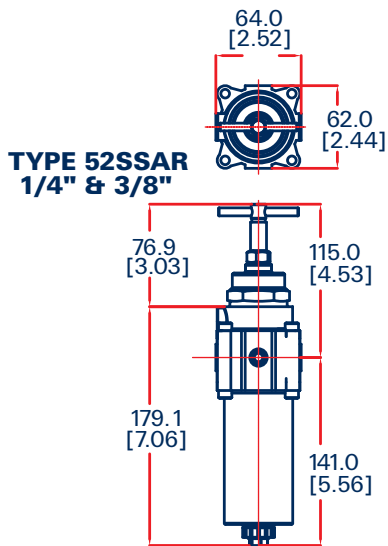
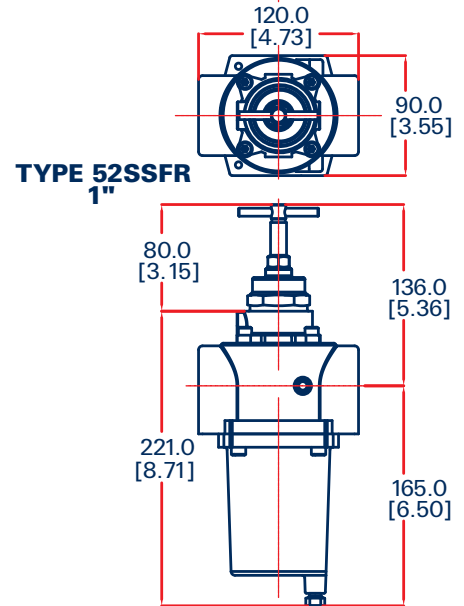
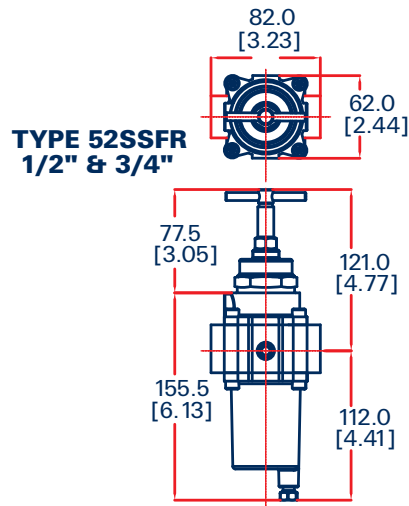
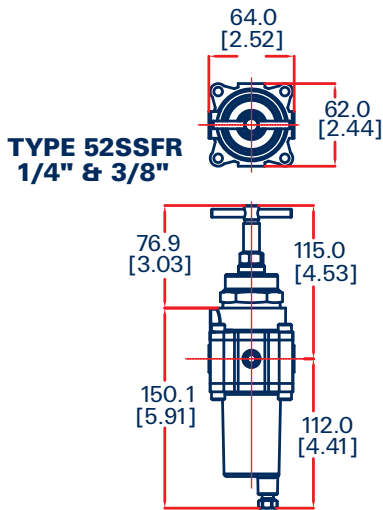
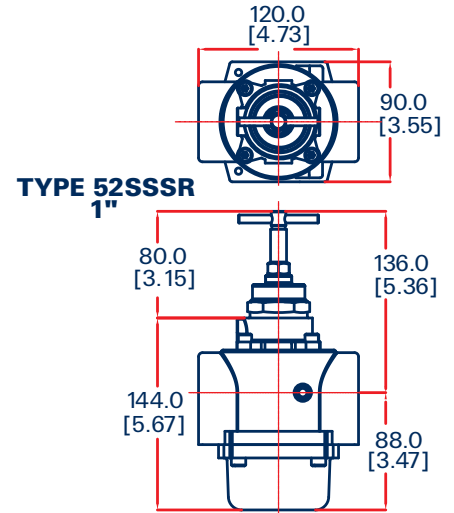
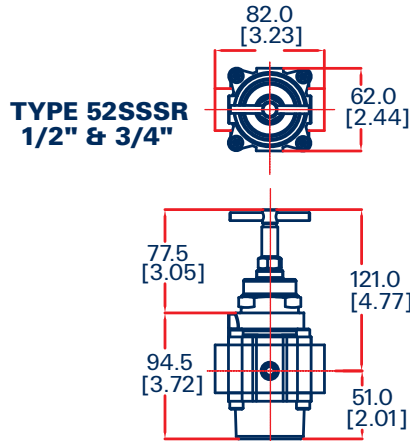
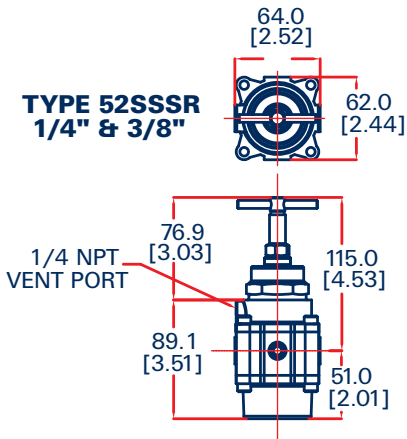
P052SS					
	↑	↑	↑	↑	Style
<b>RX</b>					Regulator
<b>FR</b>					Filter Regulator with Manual Drain
<b>AR</b>					Filter Reg with Auto Drain
					Body Size
<b>02</b>					1/4 NPT
<b>03</b>					3/8 NPT
<b>04</b>					1/2 NPT
<b>06</b>					3/4 NPT
<b>08</b>					1 NPT
					Output Ranges
<b>030</b>					3 - 30 PSIG
<b>060</b>					6 - 60 PSIG
<b>125</b>					12 - 125 PSIG
<b>150</b>					15 - 150 PSIG
					Options
<b>00</b>					Standard
<b>0B</b>					Non-relieving
<b>0F</b>					5 Micron Filter
<b>BF</b>					Non-relieving & 5 Micron Filter
<b>OH</b>					Hex Head Adjustment
<b>BH</b>					Non-relieving Hex Head Adjustment
<b>FH</b>					5 Micron Filter and Hex Head
<b>CC</b>					Non-relieving Hex Head and 5 Micron Filter

## Mounting Bracket

607-309-000



# P52 Stainless Steel Dimensions



mm  
inches